



Mini-Hermet Pressure Switches

with Hermetically Sealed
Electrical Switching Elements

General Instructions

These instructions cover installation, process connection, electrical connection and calibration of the SOR® Mini-Hermet explosion proof pressure switches.

The switching element is hermetically sealed in an explosion proof capsule that is UL Listed and CSA Certified for hazardous locations Class I, Groups A, B, C & D; Class II, Groups E, F & G; Divisions 1 & 2 and SAA Approved for Ex s IIC T6 IP65 Class 1, Zone 1. When certain options are ordered, the **Pressure Switch** may be ATEX/IECEx Certified Ex db IIC or UL Listed and CSA Certified Class I, Groups A, B, C & D; Class II, Groups E, F & G; Divisions 1 & 2.



Static O-Ring Type (prefaced by 1, 5, 6, 9, 10 or 56)

Typical Model No. **6**AG-EF3-N4-C1A

The static o-ring type pressure switch with optional wetted parts is suitable for a wide variety of process applications. This type is not recommended for high-pressure fluid power applications where high shock pressure and high cycle rates are expected. Use SOR pivot seal type for fluid power applications.

Pivot Seal Type (prefaced by 2 or 3)

Typical Model No. **3**AH-EF45-P1-C1A

The pivot seal type pressure switch is generally suitable for fluid power hydraulic applications where high shock pressures and high cycle rates are expected and where only normally industrial clean hydraulic fluid is used. Use static o-ring type for other process applications.

NOTE: If you suspect that a product is defective, contact the factory or the SOR Representative in your area for a return authorization number (RMA). This product should only be installed by trained and competent personnel.

Table of Contents

Design and specifications are subject to change without notice.

*For latest revision, go to **SORInc.com***

| | |
|------------------------------------|---|
| Installation | 2 |
| Process Connection | 2 |
| Electrical Connection | 3 |
| SIL Installation | 4 |
| Calibration | 4 |
| Dimensions | 5 |
| ATEX/IECEx Marking Materials | 6 |
| Special Conditions | 6 |
| Declaration of Conformity | 7 |

Installation

When rigid process piping or electrical conduit is not available, the pressure switch should be clamped in the area between the set point adjustment protrusion and the pressure port to a suitable component in the application.

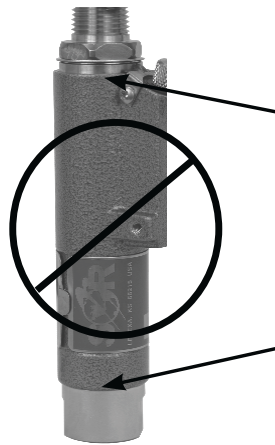


It is important that NO bending or torsional forces are imposed on this pressure switch when making the PROCESS and ELECTRICAL connections.

The hermetically sealed switch element capsule has been precisely positioned and locked during manufacture.

Excessive force could overcome the lock and cause movement which will adversely affect proper operation or render the pressure switch inoperative.

Should movement occur, factory calibration must be performed in order to restore normal operation.



DO NOT USE

A pipe wrench or strap wrench on the round body while installing the PROCESS or ELECTRICAL conduit connection.

Process Connection

Use two wrenches when connecting to the process pipe or tube fitting.

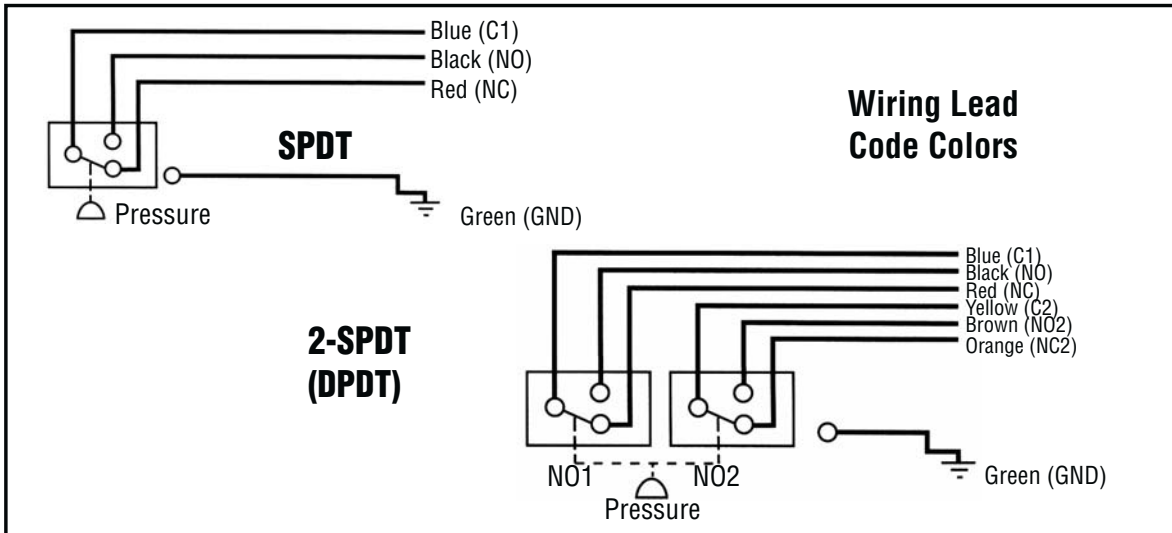
- 1.** A 1-1/8 inch open-end wrench to HOLD the pressure port
- 2.** The other wrench to TURN the process pipe or tube fitting



Electrical Wiring and Connection

WIRING

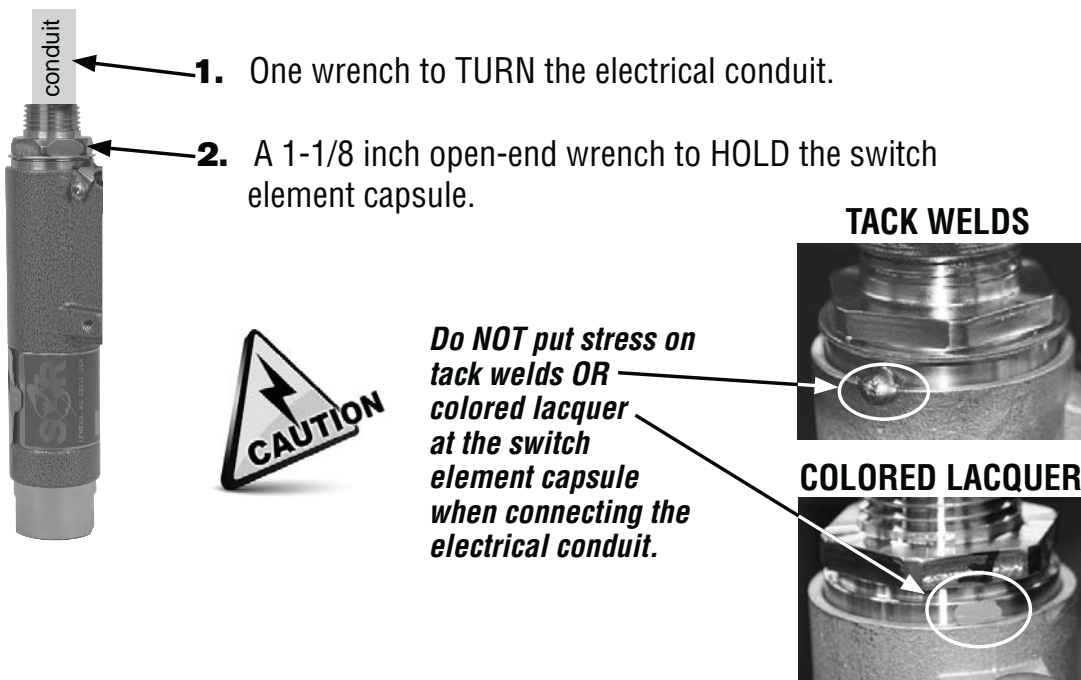
Ensure that wiring conforms to all applicable local and national electrical codes and install unit(s) according to relevant national and local safety codes.



The electrical switch element capsule assembly contains UL Listed and CSA Certified factory-sealed leads. A conduit seal is not required to preserve explosion proof integrity. Electrical leads are marked NC (Normally Closed), NO (Normally Open) and C (Common). Electrical switch elements are snap-action and are either 1-SPDT or 2-SPDT (DPDT) set to actuate simultaneously.

CONNECTION

Use two wrenches when connecting to the electrical conduit or conduit fitting.



Safety Integrity Level (SIL) Installation Requirements

The SOR pressure switches have been evaluated as Type-A safety related hardware. To meet the necessary installation requirements for the SIL system, the following information must be utilized:

- Proof Test Interval shall be one year.
- Units may only be installed for use in Low Demand Mode.
- Products have a HFT (Hardware Fault Tolerance) of 0, and were evaluated in a 1001 (one out of one) configuration.

Form 1538 (03.12) ©2012 SOR Inc.

Calibration

Mini-Hermet Pressure Switches are field adjustable across the entire cataloged range for a particular piston/spring combination. Field adjustable models have a set point adjustment under the removable weathertight cover screw.

It is not necessary to disconnect the electrical power, since the electrical switching element is inside the hermetically sealed explosion proof capsule, thereby maintaining explosion proof integrity.

- ① Remove knurled weathertight cover screw.
- ② Use 1/8 inch hex (Allen type) wrench to turn adjusting screw to achieve desired set point. Turn adjusting screw clockwise (in) to increase set point; turn adjusting screw counterclockwise (out) to decrease set point. Use an external pressure measuring device to accurately calibrate set points.



Do not unthread the adjusting screw more than two threads below the flush point of housing as calibration could be adversely affected.

- ③ After the set point has been calibrated, replace the cover screw tightly to ensure the weathertight integrity of the device.

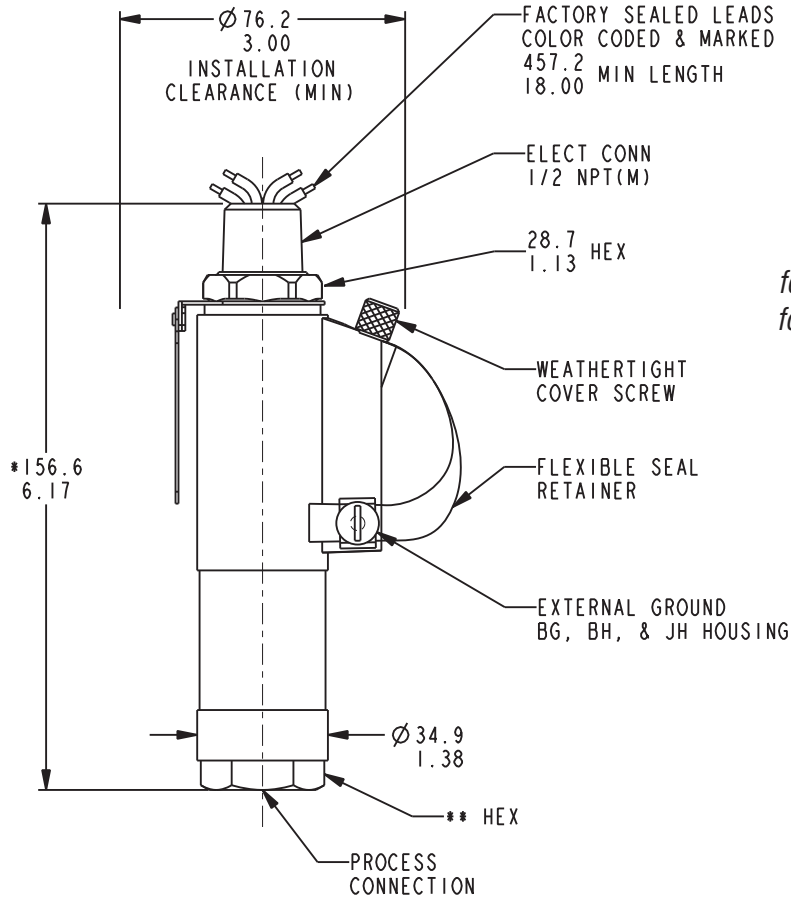
SOR discourages field modifications, change-out of wetted parts or repair. It is recommended that products be returned to SOR Inc. for inspection and necessary repair work. Any field work should be performed by a qualified instrument technician following formal SOR procedures.

NOTE: UL Listed models are suitable for handling petroleum-based, flammable and combustible liquids and gases, air, oxygen and water at fluid temperatures not exceeding 40°C and designed for ambient temperatures not exceeding 75°C.



Units in hazardous locations - Prior to removal from service, make sure that the work area is declassified. Failure to do so could result in severe personal injury or substantial property damage.

Dimensions



Dimensions are for reference only. Contact the factory for certified drawings for a particular model number.

Linear = mm/inches

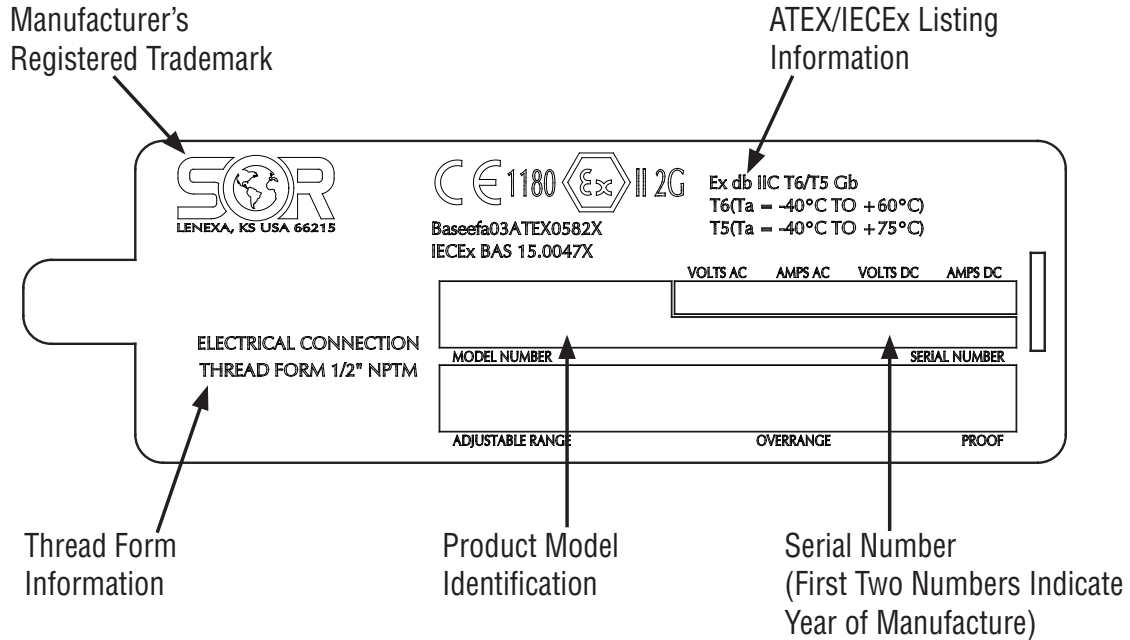
Drawing 0090119

| PROCESS CONN SIZE | * LENGTH 1, 5, 6, 9 | * LENGTH 2, 3 | * LENGTH 56 | ** HEX 1, 5, 6, 9, 56 | ** HEX 2, 3 |
|-------------------|------------------------|------------------|------------------|--------------------------|----------------|
| 1/4 NPT(F) | SHOWN | ADD 14.0 0.55 | ADD 18.3 0.72 | 28.7 1.13 | 28.7 1.13 |
| 1/2 NPT(F) | ADD 13.2 0.52 | ADD 24.1 0.95 | | | 38.1 1.50 |
| 9/16 SAE | SHOWN | ADD 14.0 0.55 | N/A | | 28.7 1.13 |
| 3/4 NPT(M) | ADD 23.1 0.91 | N/A | | N/A | |

Special Conditions for Safe Use ATEX/IECEX units

- The permanently attached cables are to be suitably terminated and protected from impact and UV light.
- Flameproof joints are not intended to be repaired.
- To minimize the risk of electrostatic discharge, clean only with a damp cloth.
- The switch capsule has an expected life cycle of 1×10^5 , therefore end user shall ensure the switch capsule does not exceed the stated life cycle.

ATEX/IECEX Marking Materials



Drawing 8304108

Declaration of Conformity

For ATEX/IECEx Certified Models

EC Declaration of Conformity




Product A Mini Hermet Pressure or Temperature Switch

Manufacturer SOR Inc.
14685 West 105th Street
Lenexa, Kansas 66215-2003
United States of America

Date of Issue August 11, 2016

We declare that the above products conform to the following specifications and directives ATEX Directive (2014/34/EU) Equipment Intended for use in Potentially Explosive Atmospheres
EN 60079-0:2012
EN 60079-1:2014

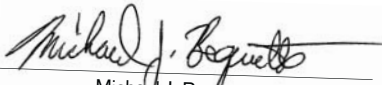
Carries the marking  II 2 G Ex db IIC T6/T5 Gb
T6 (-40°C ≤ Ta ≤ +60°C)
T5 (-40°C ≤ Ta ≤ +75°C)

Reference document EC-Type Examination Certificate
Baseefa03ATEX0582X
Issued October 31, 2003

ATEX Notified Body SGS Baseefa (Notified Body No. 1180)
Rockhead Business Park, Staden Lane,
Buxton, Derbyshire SK17 9RZ
United Kingdom

Baseefa Customer Reference No. 1021

Person responsible Michael J. Bequette (VP of Engineering)


Michael J. Bequette

Engineered to Order with Off-the-Shelf Speed



14685 West 105th Street, Lenexa, KS 66215-2003
913-888-2630 • 800-676-6794 USA • 913-888-0767 FAX

Form 1382 (08.16) ©SOR Inc.



SORInc.com

14685 West 105th Street, Lenexa, KS 66215 ■ 913-888-2630 ■ 800-676-6794 USA ■ Fax 913-888-0767
